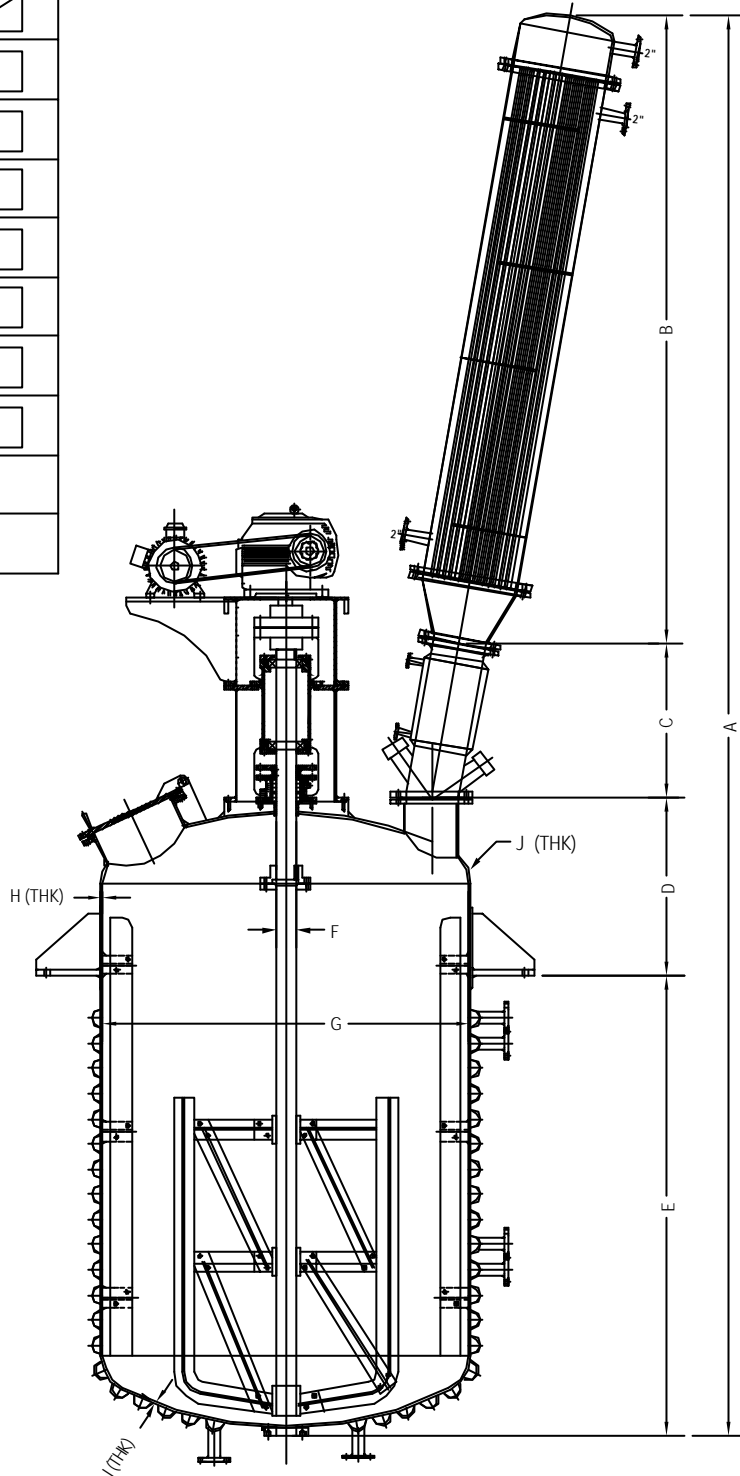


TYPES OF BLADE	<input checked="" type="checkbox"/>
SINGLE ANCHOR	<input type="checkbox"/>
DOUBLE ANCHOR	<input type="checkbox"/>
GATE	<input type="checkbox"/>
PADDLE	<input type="checkbox"/>
FLAT BLADE TURBINE	<input type="checkbox"/>
MARINE PROPELLER	<input type="checkbox"/>
CURVED BLADE TURBINE	<input type="checkbox"/>
BLADE RPM.	
CONDENSER COOLING AREA	



CAPACITY	A	B	C	D	E	F	G	H	I	J	K	M

6	GEARBOX	CENTER		
5	MOTOR	H.P.		
4	SHAFT	<input type="checkbox"/> 316	<input type="checkbox"/> 304	<input type="checkbox"/> MS
3	LIMPET COIL.	<input type="checkbox"/> SA312 TP 304		<input type="checkbox"/> M.S.
2	DISH. (TORISPHERICAL.)	<input type="checkbox"/> SA240Gr:316	<input type="checkbox"/> SA240Gr:304	<input type="checkbox"/> M.S.
1	SHELL.	<input type="checkbox"/> SA240Gr316	<input type="checkbox"/> SA240Gr304	<input type="checkbox"/> M.S.
NO.	DESCRIPTION.	MATE.	MATE.	MATE.



S.S. ENGINEERING

FAC. & OFF. :- C 1-B, HATKESH UDYOG NAGAR, KASHI MIRA -
BHAYANDAR ROAD, MUMBAI-401 104.

TELE. :- (0) - :2811 15 41
:2813 16 48
FAX.No.(91-22):2812 54 78

CLIENT :-

TITLE :- LIMPET REACTION VESSEL WITH VERTICAL CONDENSER

ENQ.No. :-

DATE. :-