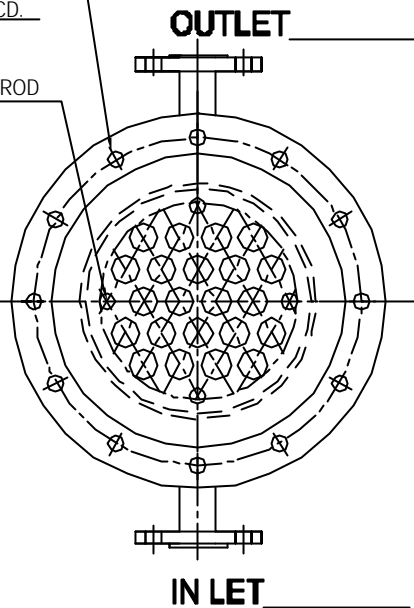
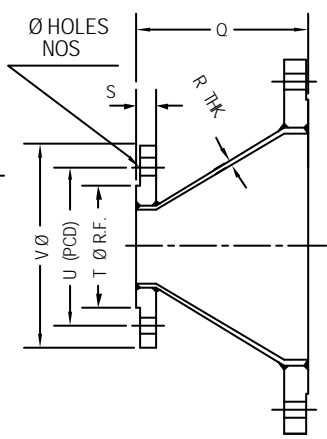


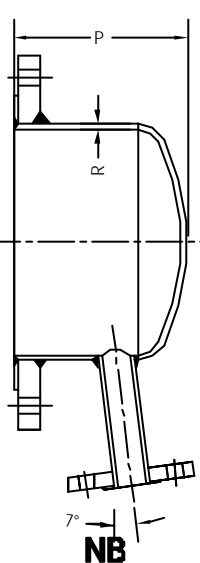
Ø X NOS HOLES.
AT P.C.D.
4 NOS HOLES.
FOR 4 NOS TIE ROD



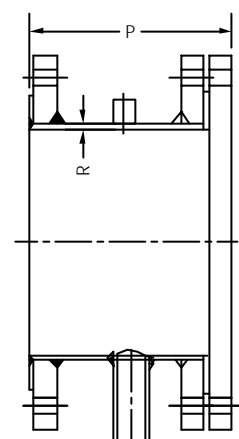
DETAIL OF 1 M SQ. CONDENSER.



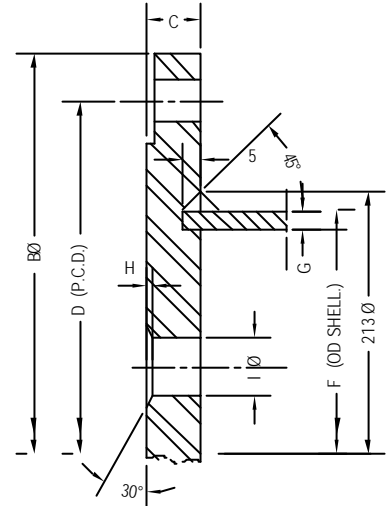
DETAIL OF CONDENSER CONICAL & BONNET END.



NB



NB



DETAIL OF CONDENSER TUBE - SHEET & BONNET FLANGE.

COOLING AREA	A	B	C	D	E	F	G	H	I	J	K	L
	M	N	O	P	Q	R	S	T	U	V	W	X

8	VAPOUR INLET/OUTLET DOME	<input type="checkbox"/> SA240Gr:316	<input type="checkbox"/> SA240Gr:304	<input type="checkbox"/> M.S.
7	TUBE SIZE	NB.		O.D.
6	TUBE	<input type="checkbox"/> ERW	<input type="checkbox"/> SEAMLES	
5	NO. OF PASS	<input type="checkbox"/> SINGLE		
4	NO. TUBE			
3	TUBE	<input type="checkbox"/> SA240Gr:316	<input type="checkbox"/> SA240Gr:304	<input type="checkbox"/> M.S.
2	TUBE SHEET	<input type="checkbox"/> SA240Gr:316	<input type="checkbox"/> SA240Gr:304	<input type="checkbox"/> M.S.
1	SHELL	<input type="checkbox"/> SA240Gr:316	<input type="checkbox"/> SA240Gr:304	<input type="checkbox"/> M.S.
NO.	DESCRIPTION.	MATE.	MATE.	MATE.



S. S. ENGINEERING

FAC. & OFF. :- C-1-B, HATKESH UDYOG NAGAR, KASHI MIRA - BHAYANDAR ROAD, MUMBAI-401 104.

TELE. :- (0) : 2811 15 41
: 2813 16 48
FAX.No (91-22) : 2812 54 78

CLIENT :-

TITLE :- LAYOUT OF CONDENSER.

ENQ.No. :-

DATE. :-